

City of Coos Bay,
Oregon



The Friday Update

December 9, 2016



Mayor
Joe Benetti



Council President
Jennifer Groth



Councilor
Stephanie Kramer



Councilor
Stephanie Kilmer



Councilor
Lucinda DiNovo



Councilor
Drew Farmer



Councilor
Phil Marler

A Jolly Good Time in the Historic Empire District

Last week Santa arrived at the Empire Christmas Tree Lighting event riding on top a fire engine. Santa was greeted by Mayor Benetti, and City Councilors Stephanie Kramer and Lucinda DiNovo, and a host of excited children and their families. The event was hosted by the Community Coalition of Empire and Star of Hope.



After the tree lighting ceremony, the crowd made their way into Star of Hope where Santa visited with the children and listened to the wishes.

Correction - In last week's Friday Update, I mistakenly shared that local Cub Scouts picked up and distributed the socks from the mock snow ball fights at the Egyptian Theater on November 25th and 26th. While local Cub Scouts did help gather up the socks, they were assisted by members of the Soroptimist Service Club. The socks were actually taken by the Soroptimist, who wash the socks, paired them back up, and sorted them by size. The Soroptimist plan to deliver socks to every school district in Coos County, in addition to other programs serving children, and to local programs and shelters that assist adults. This is the third year that the Egyptian, the Cub Scouts, and the Soroptimist have partnered to get the socks out into the community.



Fire Department Welcomes New Firefighter/Engineer...

The Fire Department would like to congratulate Caleb Owens on becoming a career Firefighter with the City of Coos Bay. Caleb was hired to fill the vacancy created when Battalion Chief Dean Martin retired in October. Caleb participated in a competitive hiring process that was conducted in June. The hiring process consisted of a written test, skills evaluation, and oral interviews.

Caleb was born and raised in Coquille and graduated from Oregon Connections Academy in 2014 before becoming an Intern Firefighter with Coos Bay Fire Department in September 2014. In the two years that Caleb has been an intern with the Fire Department, he has shown ambition and commitment to learning. In this relatively short time, Caleb has compiled an impressive list of certifications which include NFPA Firefighter II, Pumper Operator, Wildland Firefighter, and Haz Mat Awareness and Operations. He is also a licensed EMT. As a requirement of our Intern Program, Caleb has been going to school full time working towards his AAS in Fire Science as well as AAS EMT Paramedic. Caleb is just a few credits short of his Fire Science degree which he plans to complete in the next few months. Caleb will return to school next year to complete his Paramedic degree. Caleb's positive attitude and commitment to his learning earned him the Southwestern Oregon Community College Fire Science Student of the Year in 2015.



Sergeant Lounsbury competed in his 4th Ironman competition...

Sgt. Robert Lounsbury, a 26-year veteran of the Coos Bay Police Department and avid triathlete, recently completed his fourth full Ironman when he competed in Ironman Arizona on November 20th. Robert posted a lifetime best by completing the grueling 140.6-mile race in 10 hours and 15 minutes. An "Iron" distance triathlon is comprised of a 2.4-mile swim, a 112-mile bike ride, and a full 26.2-mile marathon.

Robert was 25th in his age group and an impressive 188th out of 2,445 total competitors. Although this was Robert's fourth full distance Ironman, it was his first since suffering devastating injuries during a training accident a little over a year ago.





The Friday Update



The City of Coos Bay is also seeking volunteers to fill positions on the Library Board and the Planning Commission. Applications will be accepted in the City Mangers Office through 5:00 p.m. **December 23, 2016**. Applicants will be contacted to schedule interviews with the City Council on January 6, 2017.



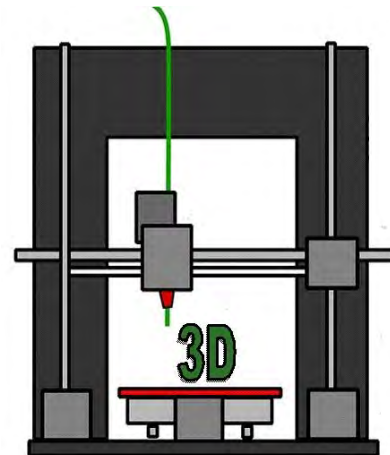
Library Board - The Library Board, consists of seven members. The term of office is four years; up to three board members may at any one time reside in Coos County within the boundaries of School Dist. 9, but outside the city limits of Coos Bay. Members shall be limited to serving no more than two full consecutive terms; however, any person may be reappointed after an interval of one year. **There is currently one opening on the Board**.

Planning Commission - The Planning Commission functions primarily as a comprehensive planning body by proposing policy and legislation to the City Council and by implementing regulations relating to the growth and development of the community. The Planning Commission is a seven-member citizen advisory board appointed by the City Council. It is the decision-making authority for many land use applications. It also makes recommendations to the City Council on land use planning issues. The Planning Commission meets the second Tuesday of each month at City Hall. Its meetings are open to the public. Applicants must be a resident of the City of Coos Bay for a period of not less than one year prior to appointment (Coos Bay Munciple Code 2.35.020). **There is currently one opening on the Commission**.

3D Printing at the Library...

Did you know that the Library has a 3D printer?

3D printing or additive manufacturing (AM) is a process of making three-dimensional solid objects from a digital file. The creation of a 3D-printed object is achieved using additive processes. In an additive process, an object is created by laying down successive layers of material until the entire object is created. Each of these layers can be seen as a thinly sliced horizontal cross-section of the eventual object.



On Saturday, December 10th from 1:00-2:30 pm, come learn about 3D Printing, how to submit a print job, and see the library's printer in action. This event will be held in the Myrtlewood Room. For more information call 541-269-1101.

The Friday Update



A show of appreciation...

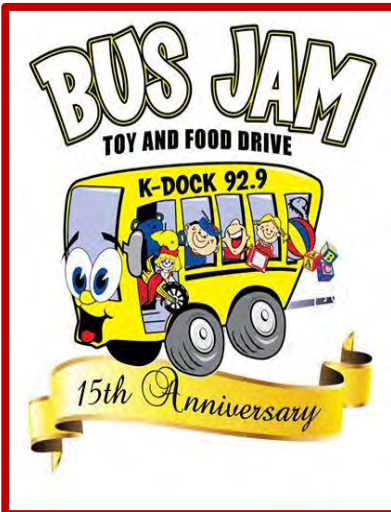


On Dec. 2nd, Sherri Witt and Joni Mostert from the local Umpqua Bank branch delivered a gift of thanks to all of the members of the Coos Bay Police Department. Sherri and Joni stated that the employees at Umpqua Bank are very thankful for what the members of the Police Department do for their community and wanted express their thanks by

bringing by gifts. For each of the officers, they brought in a bag of candy and a card attached to a balloon. The card indicates it is a "Survival Kit for First Responders".



Coos Bay Fire lends a helping hand...



Last Saturday members of the two groups that comprise the Coos Bay Fire Department came together to help with Bus Jam 2016. Coos Bay Volunteer Firefighters Association and Coos Bay Professional Firefighters IAFF Local 2935 each donated \$500 for this cause.



Coos Bay City
Hall
500 Central
Avenue
Coos Bay, OR
97420
www.coosbay.org

Police
Department
(541) 269-8911

Fire Department
(541) 269-1191

Library
(541) 269-1101

Community
Development
Department
(541) 269-8918
or
(541) 269-8924

Public Works
Department
(541) 269-8918

Finance
Department
(541) 269-8915

City Manager's
Office
(541) 269-8912



*42nd Annual
Sounds of Christmas Organ Concert
Saturday, December 10th at 12:00PM*



*Lee Littlefield on the Mighty Wurlitzer
&
Wilbur Jensen and the Christmas Brass*

*Admission is Free, Donations Accepted
Celebrating 91 Years in Downtown Coos Bay*